



4-775-04 - 10.99" 1080p AHD Mirror Monitor

Durite 10.99" 1080p AHD Mirror Monitor with Innolux IPS TFT. Supplied with main harness 2CH input with audio both channels, 3 bolt mounting bracket (4-776-95) and remote. Auto Dimming. UKCA, CE. E Marked R10 EMC.



WARNINGS

Before using this unit please read these instructions carefully. Take special care to follow the warnings and safety suggestions listed below. Keep these instructions for future reference. There are no user-serviceable parts within the unit, refer servicing to qualified service personnel.

PRECAUTIONS

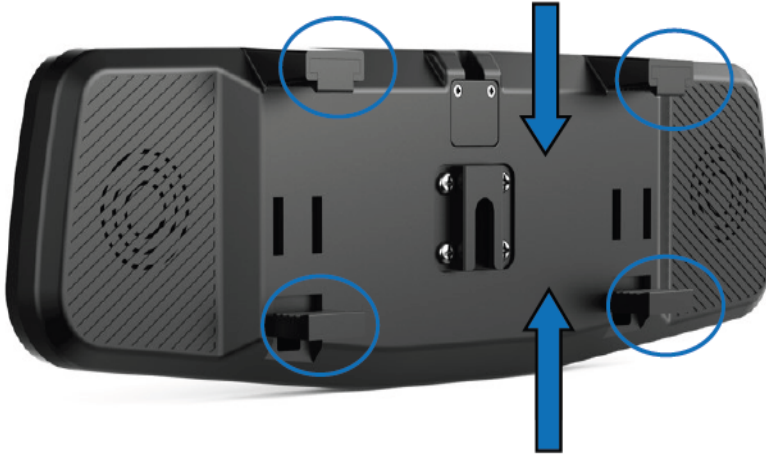
- Please ensure you are familiar and comply with local traffic and driving regulations.
- Connection - The camera should only be connected to a Durite cctv system.
- Heat - Do not install the camera near heat sources.
- Mounting - Ensure the camera is facing the desired direction before fixing the camera base. If fixing to isolated return chassis the camera bracket should be isolated from the vehicle chassis.
- Service - The user should not attempt to service these units beyond that described in these instructions. All other servicing should be referred to an authorised service technician.

GENERAL

The camera has a CMOS image sensor which gives a high quality picture and its solid state circuitry provides extremely long life. Compact size and single connection make it easy to install. Automatic gain control (AGC) provides a clear image in both strong sunlight and low light conditions. It is recommended that all camera lead connections are additionally sealed by either wrapping with a suitable tape or application of heat shrink sleeving. It is recommend to connect the system and test before fixing to ensure the correct field of view is displayed.

INSTALLATION

- A. Clip on the vehicle original mirror monitor with built-in spring clip bracketsx4pcs

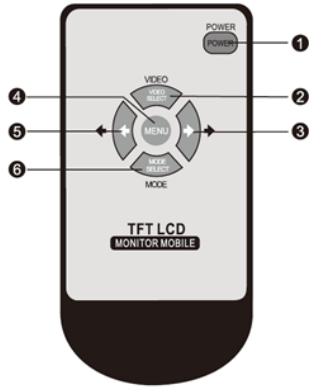


- B. With the roof mounting metal bracket in the package



OPERATION

REMOTE CONTROL



1. Power
2. Video1 / Video2 change
3. Positive increase
4. Menu
5. Negative decrease
7. Mode selection

MENU OPERATION

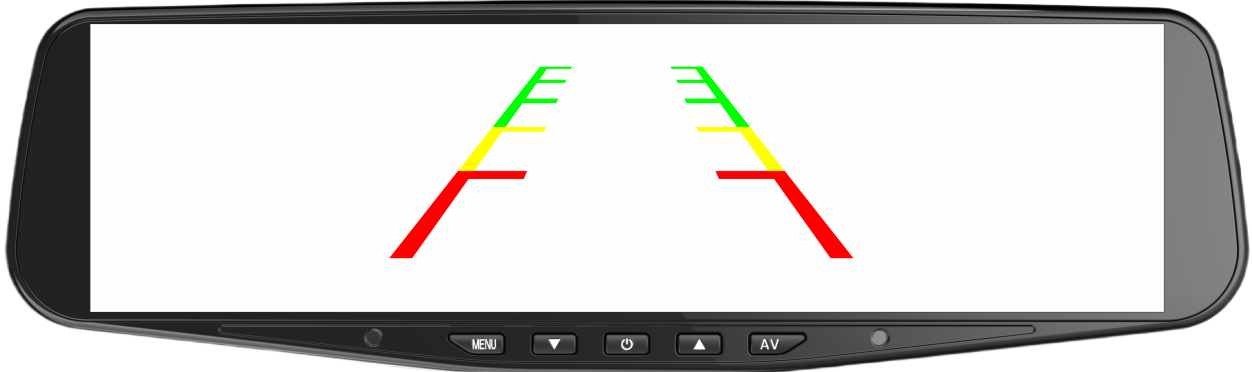
Press "M" button, the screen will show "Display / Guideline / System setting / Volume "menu, Press "V1/V2"button to select up and down, press "▲ / ▼ "button to increase or decrease the parameter setting.

Auto-Dimming	ON	Adjust the screen brightness by the environment light automatically if ON
Brightness	5	
Channel Select	CH1	
Color	20	
Contrast	20	
Parking Line1	ON	
Parking Line2	ON	
Language	English	Japanese/German/Russian/Korean/Portuguese/Spanish/Italian
Volume	5	
RLUD	2	Picture rotation

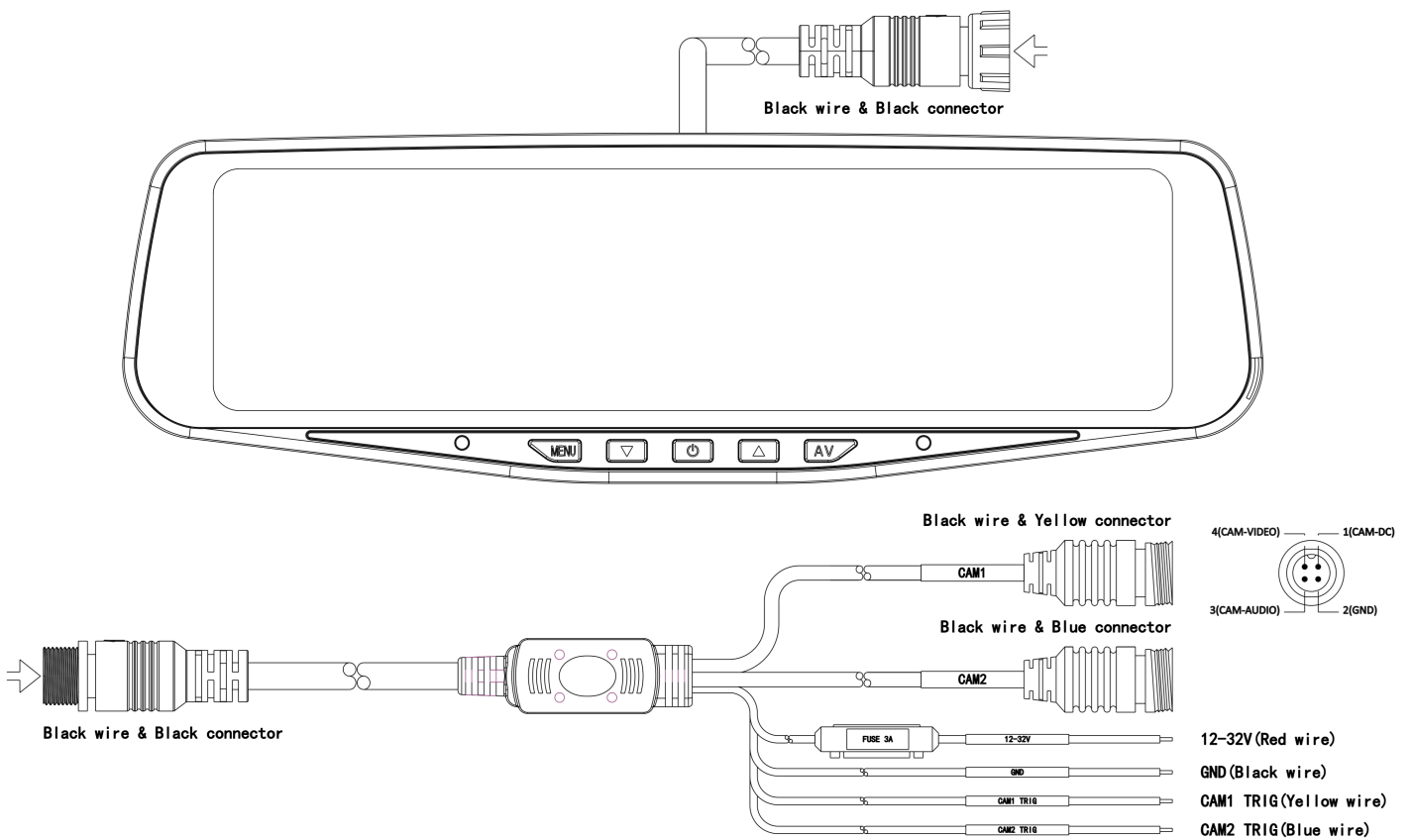
Press "▲ / ▼ "button to increase and decrease the parameter setting

PARKING GUIDELINES

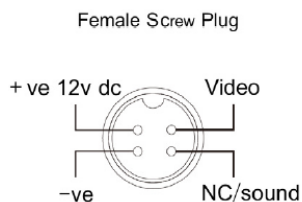
This CCTV reversing system has the option for parking guidelines. These can be turned on/off in the main menu. To turn on/off select MENU > GUIDE LINE > ON/OFF. The guidelines will only appear while trigger 1 (Yellow) or trigger 2 (Blue) are engaged.



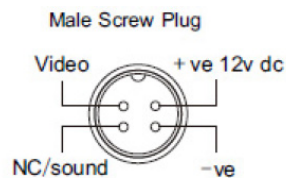
SYSTEM DIAGRAM



CAMERA 4 PIN



MONITOR 4 PIN



TECHNICAL SPECIFICATIONS - Monitor

Display Device	10.99" Colour IPS LCD
Interface	Digital TTL
Luminance (Nits)	800
System	PAL / NTSC (auto)
Video signal format type	CVBS / AHD
P/N system resolution	1920 x RGB x 600
Video frame	60FPS
Contrast Ratio	1000:1
Power Consumption	6W Max
Power Supply	10-32V
View Angle (LR/UD)	L 80, R 80, U 80, D 80 (Degree's)
Connection	4 PIN Aviation (Please see system diagram)
Weight	0.520Kg
Vibration	10G
Operating temperature	-20°C ~ 70°C, RH95% MAX
Storage temperature	-30°C ~ 80°C, RH95% MAX
Dimensions	Please see below diagram
Certificates	UKCA CE E Mark R10 EMC

