



4-776-25 - 7" 1080p Wireless Mirror Monitor AHD Camera System

Durite 7" 1080p AHD Mirror Monitor Camera system. Sony 1/2.8" AHD CMOS IMX307, IP69K with microphone. Supplied with remote. UKCA, CE. E Marked R10 EMC.



WARNINGS

Before using this unit please read these instructions carefully. Take special care to follow the warnings and safety suggestions listed below. Keep these instructions for future reference. There are no user-serviceable parts within the unit, refer servicing to qualified service personnel.

PRECAUTIONS

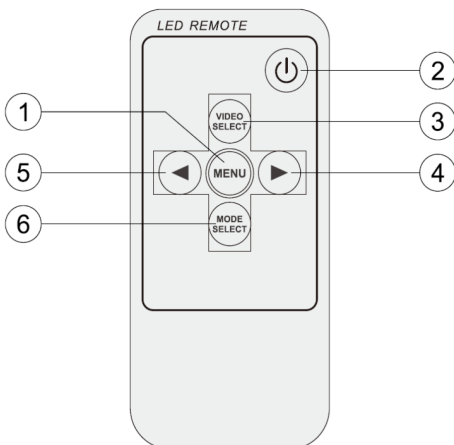
- Please ensure you are familiar and comply with local traffic and driving regulations.
- Connection - The camera should only be connected to a Durite cctv system.
- Heat - Do not install the camera near heat sources.
- Mounting - Ensure the camera is facing the desired direction before fixing the camera base. If fixing to isolated return chassis the camera bracket should be isolated from the vehicle chassis.
- Service - The user should not attempt to service these units beyond that described in these instructions. All other servicing should be referred to an authorised service technician.

GENERAL

The camera has a CMOS image sensor which gives a high quality picture and its solid state circuitry provides extremely long life. Compact size and single connection make it easy to install. Automatic gain control (AGC) provides a clear image in both strong sunlight and low light conditions. It is recommended that all camera lead connections are additionally sealed by either wrapping with a suitable tape or application of heat shrink sleeving. It is recommended to connect the system and test before fixing to ensure the correct field of view is displayed.

OPERATION

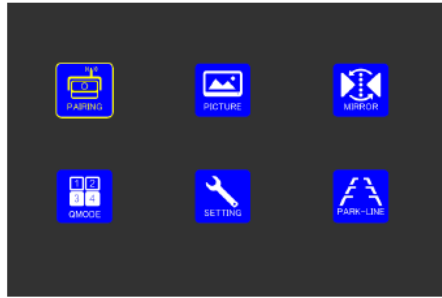
REMOTE CONTROL



1. Menu
2. Power on
3. Video selection
4. Down selection
5. Up selection
6. Mode selection

MENU OPERATION

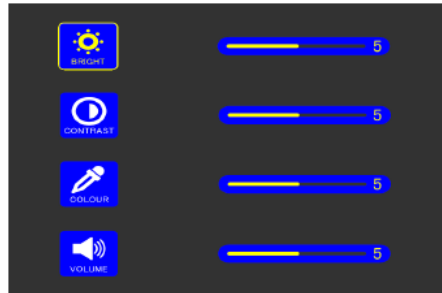
After power on , press "M" button to enter into the main menu as bellow , Press "V1/V2" button to select up and down ,press "▲ / ▼" button to increase or decrease the parameter setting .



Main menu

Pairing / Picture / Mirror / QMODE / SETTING / PARKING LINE

PAIRING: after selected, the system will do the wireless camera pairing Automatically



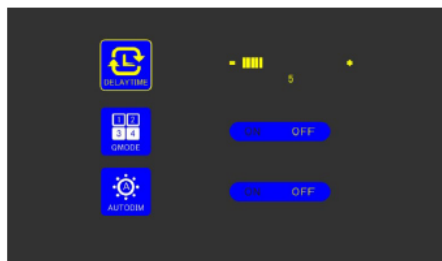
PICTURE : set up the brightness / contrast / colour / volume



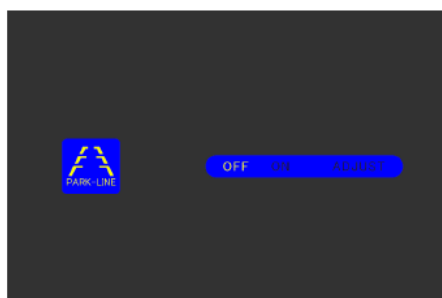
MIRROR :set up the camera image for mirror / normal / flip



QMODE: set up the display model ,up to 4 cameras



SETTING: system setting for reverse image delay time / QMODE on and off(for single and split image) /auto dimming on and off



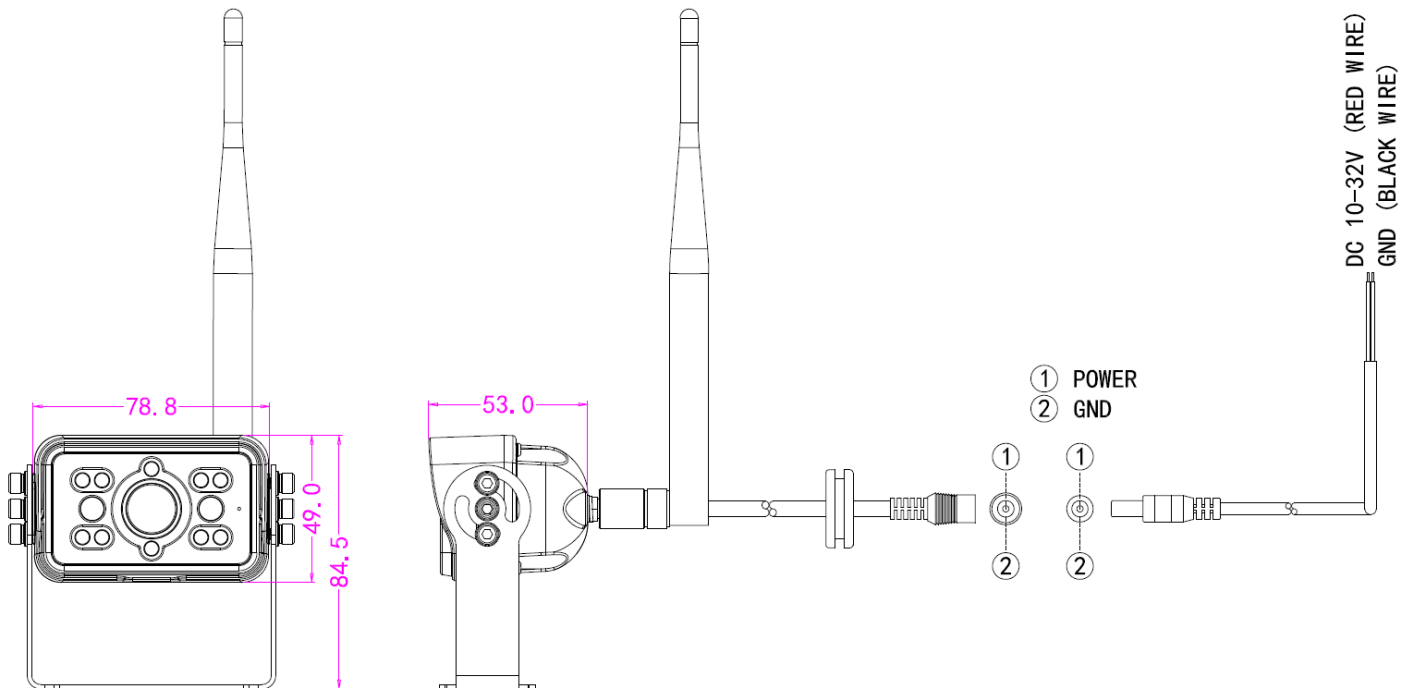
PARKING LINE: reverse parking guide line on / off , "ADJUST" for moving the parking line left or right with the key" + / -" .

PARKING GUIDELINES

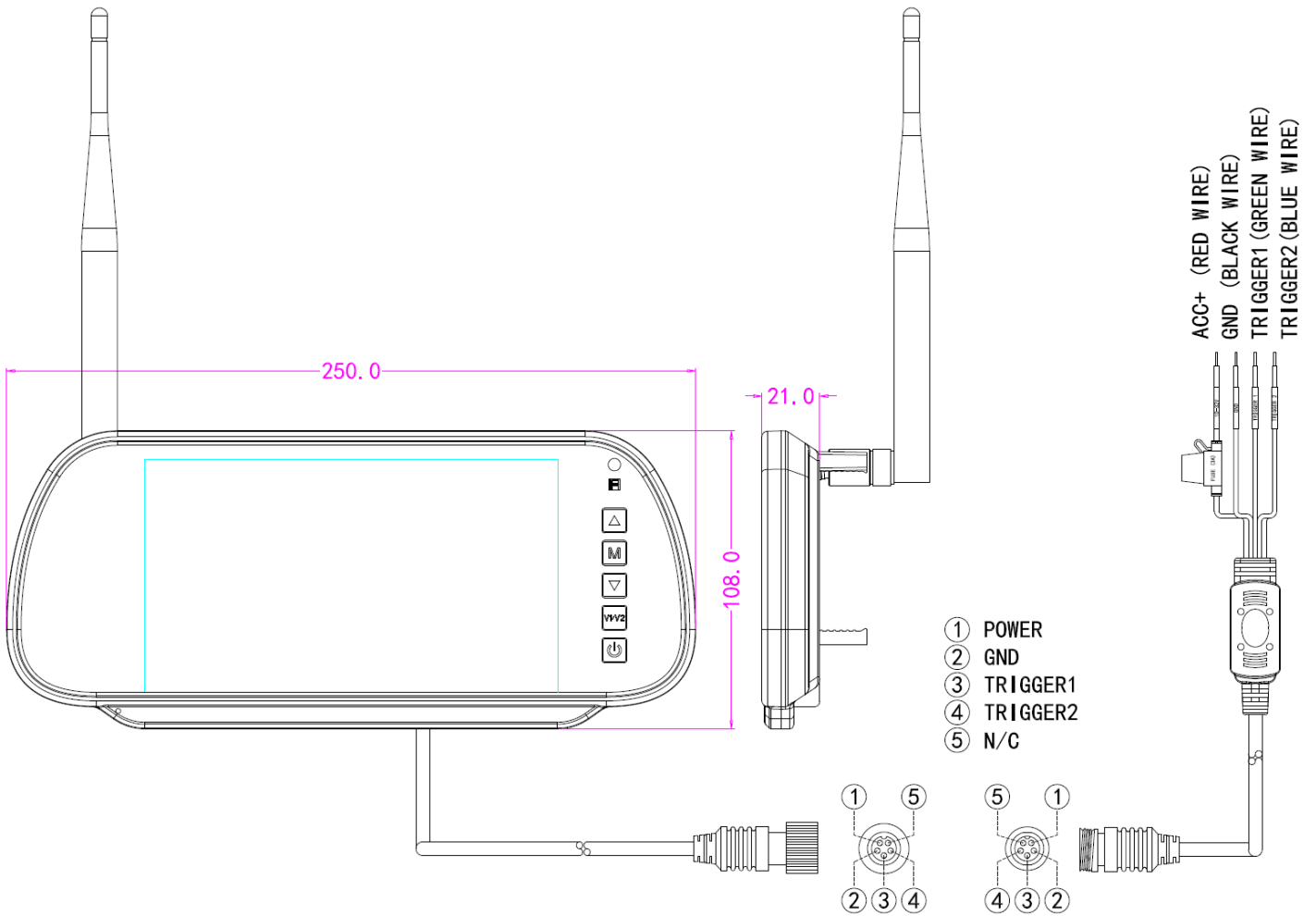


This wireless CCTV reverse system has the option for parking guide lines. This can be turned on/off in the main menu. To turn on/off, please select MENU > PARKING-LINE > ON/OFF. While trigger 1 (green) or trigger 2 (blue) are engaged, the screen will display the image accordingly.

SYSTEM DIAGRAM

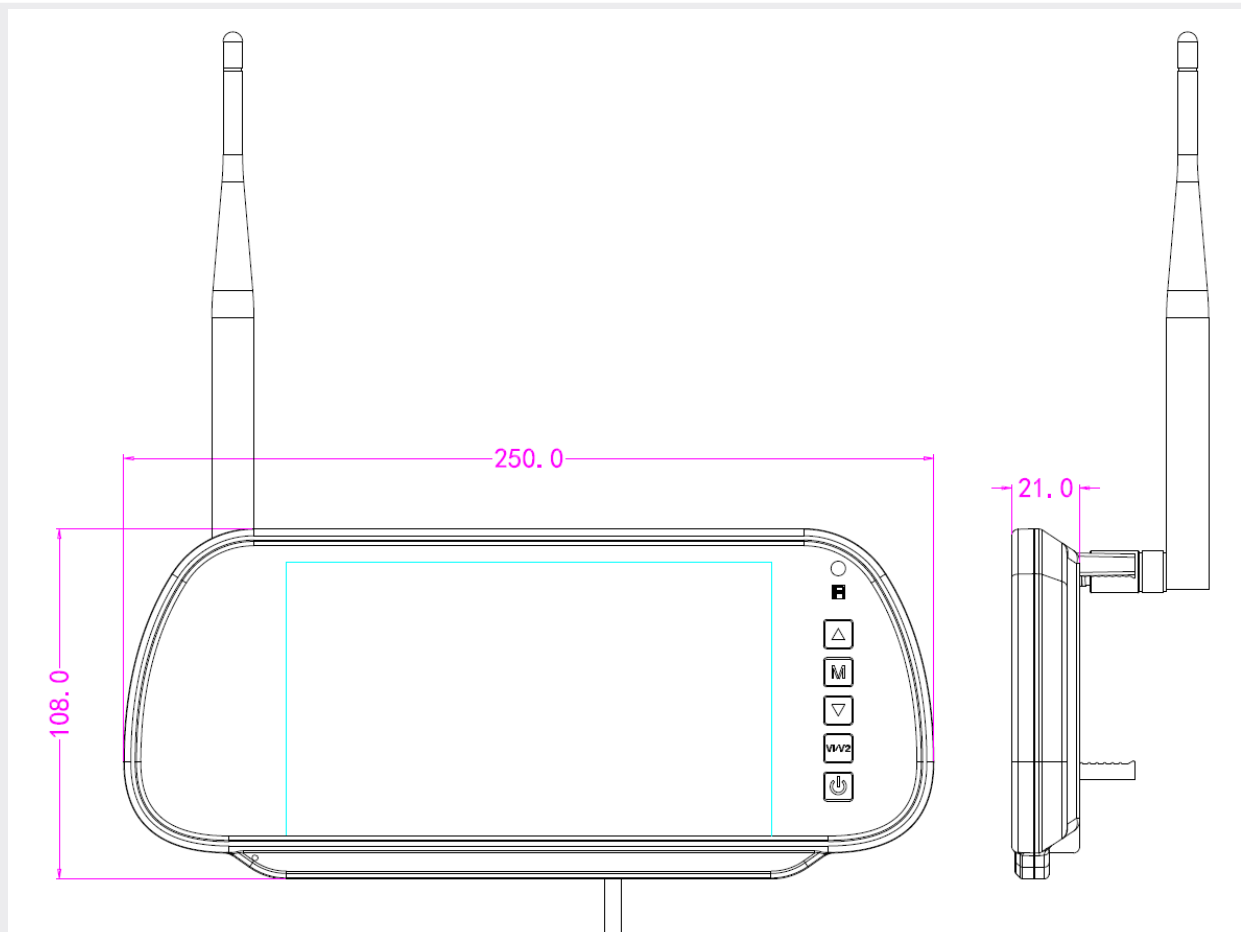


SYSTEM DIAGRAM



TECHNICAL SPECIFICATIONS - Monitor

Display Device	7" Colour TFT LCD 16:9
Interface	Digital TTL
Luminance (Nits)	500
System	PAL / NTSC (auto)
Video signal format type	AHD
P/N system resolution	1024 x RGB x 700
Video frame	30FPS
Contrast Ratio	500:1
Power Consumption	5W Max
Operation Frequency	2400 ~ 2483.5MHz
Transmission Distance	100M (barrier free)
Speaker	Yes
Triggers	2
Park Lines	Yes
Mirror / Normal Flip Image	Yes
Power Supply	10-30V
View Angle (LR/UD)	L 60, R 60, U 40, D 60 (Degree's)
Weight	0.440Kg
Vibration	10G
Operating temperature	-20°C ~ 70°C, RH90% MAX
Storage temperature	-30°C ~ 80°C, RH90% MAX
Dimensions	L 249 x W 40 x H 108mm
Certificates	UKCA CE E Mark R10 EMC



TECHNICAL SPECIFICATIONS - Camera

Image sensor	1/2.8" Sony AHD1080P CMOS IMX307
Resolution	1920(H)X1080(V) pixels
Lens	2.8mm
Video Mode	60FPS
Viewing angle	120° H, 95° V, 140° D
TV System	PAL
Sensitivity	0 LUX with IR on
Night vision distance	Upto 8 Metres
Image mode	Normal
S/N Ratio	48dB
Vibration	10G
IR LED light	11 LED's
Power voltage	12VDC
Audio	YES
WDR	YES
AGC	YES
Electronic Shutter	Auto
Waterproof rating	IP69K
Current Draw at 12V	200mA
Weight	0.300Kg
Dimensions	L 78 x W 49 x H 51mm
Operating temperature	-20°C ~ 70°C, RH90% MAX
Storage temperature	-30°C ~ 80°C, RH90% MAX
Dimensions	Please see below diagram
Certificate	UKCA CE, E Marked R10 EMC

