



Image for illustration purpose. Actual product might differ slightly.

O-776-50 AHD 2 Channel Splitter 12/24V

Durite AHD 2 Channel CCTV Splitter. Using this CCTV splitter you may input 2 cameras where usually you could only input 1. The camera images are split and 2 camera images are viewed on a single AHD channel at the same time. The image is split side by side. The images can be mirror or normal image per requirement. Camera 1 can take priority using the trigger cable supplied.

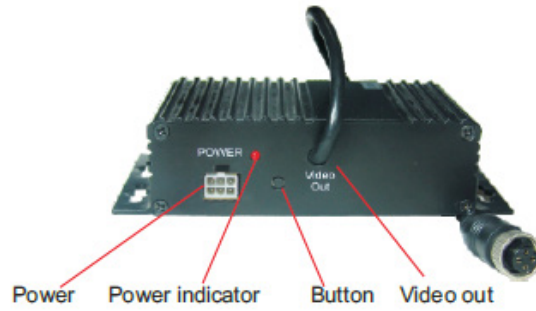
Features:

- 2 camera inputs 1080p AHD, 720p AHD, 960h and 1 AHD AV output
- Three trigger wires support auto switching to the working camera in full screen and split image
- TV system: PAL/NTSC
- Audio output:CAMERA 1
- Trigger priority:SPLIT>CAMERA 2>CAMERA 1
- Mirror image and normal image available
- Power short circuit protection

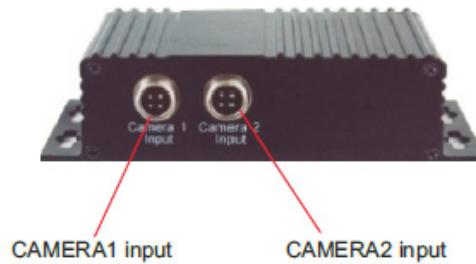


THE TRUSTED QUALITY BRAND FOR PROFESSIONALS

BUTTON LAYOUT

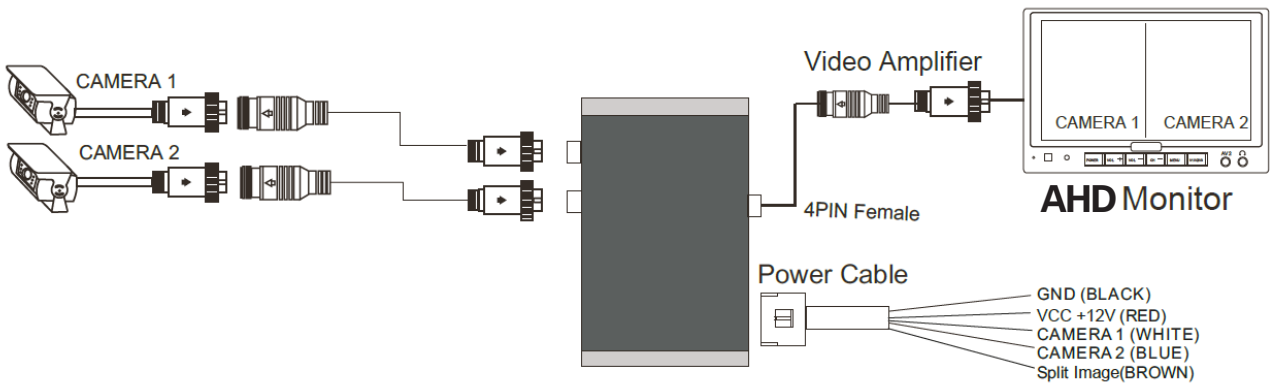


Front view



Back view

INSTALLATION



Video Amplifier



Power Wire Harness

Notice:

- White wire to any positive pole of vehicle lamp for trigger display on CAMERA 1;
- Blue wire to any positive pole of vehicle lamp for trigger display on CAMERA 2;
- Brown wire to any positive pole of vehicle lamp for Trigger display split image.

FUNCTION

In the dual split view, press and hold for more than 3s, the power indicator flashes, then the device enters the state of the switching system, press for less than 3s to switch system in order:

AUTO→1080P30→1080P25→720P30→720P25→PAL→NTSC.

Press and hold the button for more than 3s to exit the state, and the power indicator turns on.

While not in the switching system mode, press for less than 3s to switch the display channel in order:

CAMERA1→CAMERA2→Split image

In the single view, press and hold for more than 3s to flip the view in order:

Normal → Horizontal Mirror → Vertical Mirror → Horizontal + Vertical Mirror.

TECHNICAL SPECIFICATIONS

Type	AHD 2 Channel Splitter
Voltage	10-32VDC
Power	14W Max
Current Consumption	2 x 500mA
TV System	PAL / NTSC
Video Input	AHD 1080p / 720p / 960h, 2 Cam in. 1.0 vp-p,75Ohm
Video Output	1. 1.0 vp-p,75Ohm AHD
Operating Temperature	-20°C to +70°C
Weight	0.310Kg
Dimensions	147mm (L) x 80mm (W) x 35mm (H)
Certificates	E Mark R10, UKCA, CE, EMC

