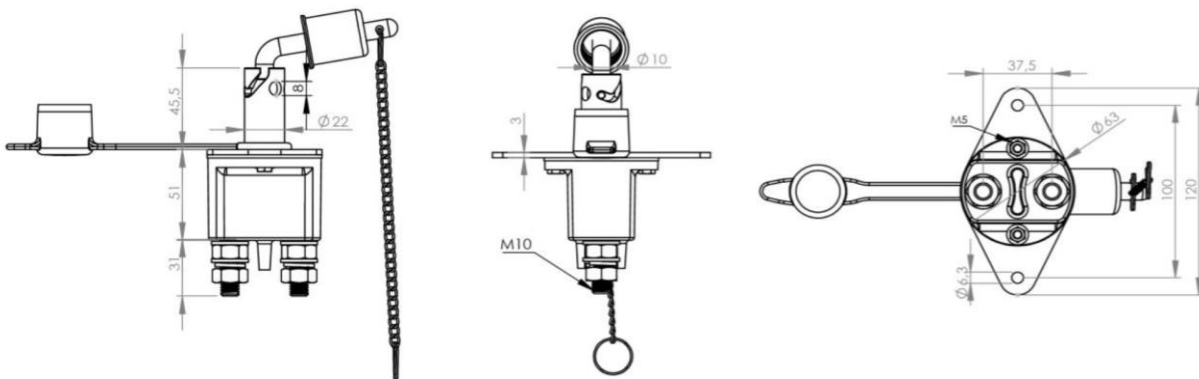


Technical Information Sheet

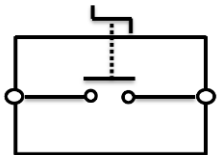
Part No. 0-605-53

Durite's Single Pole Single Throw On/Off Isolator with 8mm Lock Hole and removable handle. Used for isolating vehicle batteries. 24VDC Max. 400A Continuous. 4000A Max for 10 Seconds. M10 Terminals. Copper Contacts. Connections not polarized. Protected to IP66. 8mm hole designed for padlock to be fitted to lock out the key.

Dimensional Drawing



Switching Circuit



Specification

Volts	24 VDC Max
Amps	400A Continuous. 4000A Max for 10 Seconds
Type	D1 Normally Open
Studs	2 x M10
Stud Tightening Torque	24 Nm
Contacts	Copper
Connections	Not Polarized
Protection	IP66
Weight	0.64Kg
Operating Temperature	-40C - +85C
Certificate	n/a
Dimensions	Please see above (dimensions in mm)

The information contained in this document is correct to the best of our knowledge at the time of printing. However, specifications may change at any time without notice.