



R65/R10 LED High Intensity Warning Light
Part 0-441-80



WARNINGS

Before using this unit please read these instructions carefully. Take special care to follow the warnings and safety suggestions listed below. Keep these instructions for future reference.

SAFETY WARNING

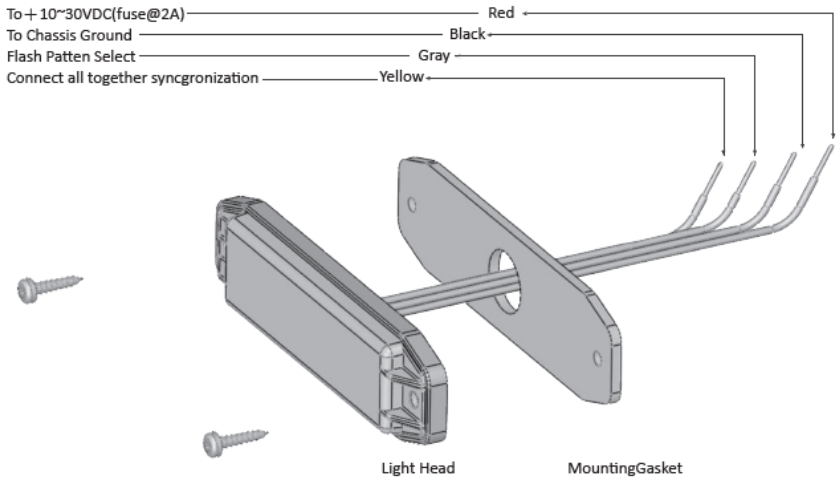
1. Proper installation of this product requires the installer to have a good understanding of automotive electronics, systems and procedures.
2. If mounting this product requires drilling holes, the installer **MUST** be sure that no vehicle components or other vital parts could be damaged by the drilling process. Check both sides of the mounting surface before drilling begins. Also de-burr the holes and remove any metal shards or remnants.
3. Do not install this product or route any wires in the deployment area of your air bag. Equipment mounted or located in the air bag deployment area will damage or reduce the effectiveness of the air bag, or become a projectile that could cause serious personal injury or death. Refer to your vehicle owner's manual for the air bag deployment area. The User/Installer assumes full responsibility to determine proper mounting location, based on providing ultimate safety to all passengers inside the vehicle.
4. Do not attempt to activate or control this device in a hazardous driving situation.
5. This product contains either strobe light(s), halogen light(s), high-intensity LEDs or a combination of these lights. Do not stare directly into these lights. Momentary blindness and/or eye damage could result.
6. Use only soap and water to clean the outer lens. Use of other chemicals could result in premature lens cracking (crazing) and discoloration. Lenses in this condition have significantly reduced effectiveness. Inspect and operate this product regularly to confirm its proper operation and mounting condition. Do not use a pressure washer to clean this product.

7. It is recommended that these instructions be stored in a safe place and referred to when performing maintenance and/or reinstallation of this product.

8. For this product to operate at optimum efficiency, a good electrical connection to chassis ground must be made. The recommended procedure requires the product ground wire to be connected directly to the NEGATIVE (-) battery post.

MOUNTING

1. Place the unit against the mounting surface.
2. Mark the areas where the mounting holes are to be drilled. Confirm that no vehicle parts could be damaged by the drilling process.
3. Using a bit size for a no. 304 metal screw, drill two mounting holes, a 0.5" diameter. Wire passage hole(s) must also be drilled. Thoroughly de-burr all hole(s).
4. Pass the wires through the hole(s) in the gasket and through the wire passage hole(s) in the mounting surface. Fix the light head to the mounting surface.



Inspect the contents to be certain that the following items are included:

- A. LIGHT HEAD *1 B. Screw *2 C. Manual *1 D. Mounting Gasket *1

OPERATION

P13 Quad 75FPM PH1 is Factory Default.

Phase Operation: Ph1= Phase 1 / Ph2=Phase 2

Phase 1 (Ph1) flashes simultaneously with Ph1

Phase 2 (Ph2) flashes simultaneously with Ph2

Apply GREY to BLACK wire:

- Less than 1 sec. for next pattern
- Between 1-3 sec. for previous pattern
- Between 3-5 sec. for Factory Default
- More than 5 sec. for Last Pattern

WIRE COLOURS

RED: Positive (need to add 2A Fuse)

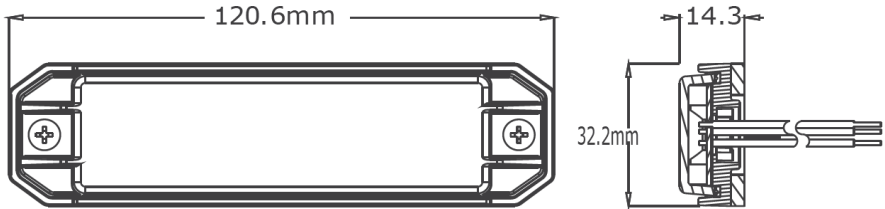
BLACK: Negative

GREY: Pattern Switch

YELLOW: Synchronized Function

*Maximum of 8 pcs can be synchronized

DIMENSIONAL DRAWING



FLASH PATTERNS

PATTERN NO.	PATTERNS	LAMP SYNCHRONIZE
1	Single Flash 75FPM sim Phase 1	Yes
2	Single Flash 75FPM sim Phase 2	Yes
3	Single Flash 75FPM Alt	Yes
4	Single Flash 120FPM sim Phase 1	Yes
5	Single Flash 120FPM sim Phase 2	Yes
6	Single Flash 120FPM Alt	Yes
7	Double Flash 75FPM sim Phase 1	Yes
8	Double Flash 75FPM sim Phase 2	Yes
9	Double Flash 75FPM Alt	Yes
10	Double Flash 120FPM sim Phase 1	Yes
11	Double Flash 120FPM sim Phase 2	Yes
12	Double Flash 120FPM Alt	Yes
13-Default	Quad Flash 75FPM sim Phase 1	Yes
14	Quad Flash 75FPM sim Phase 2	Yes
15	Quad Flash 75FPM Alt	Yes
16	Quad Flash 150FPM sim Phase 1	Yes
17	Quad Flash 150FPM sim Phase 2	Yes
18	Quad Flash 150FPM Alt	Yes
19	Triple 75FPM sim Phase 1	Yes
20	Triple 75FPM sim Phase 2	Yes
21	Triple Alter 75FPM Alt	Yes
22	Quint Flash 150FPM sim Phase 1	Yes
23	Quint Flash 150FPM sim Phase 2	Yes
24	Quint Flash 150FPM Alt	Yes
25	Steady-Single	No
26	Steady Burn	No
27	Modulation	No
28	2 Double Flash 2 Triple Alt	No
29	4 Single Flash 2 Quad Flash Alt	No

SPECIFICATIONS

Type.....Ultra high intensity LED Warning Lamp
 Colour.....Amber
 Number of LEDs.....6 x 3 watt
 Voltage.....12/24 volt dc
 Current.....1.2A at 12VDC / 0.6A at 24VDC
 Flash patterns.....29
 Base.....Aluminium
 Lens.....PC
 Operating temperature.....-30°C - +50°C
 Protection.....IP67
 Weight.....60g
 Dimensions.....l 120.6 x w 32.2 x h 14.3mm
 Compliance.....CE, ECE R65 Class 1, EMC R10, SAE Class 1

