



0-441-45 - LED Round Warning Lamp - 10-30VDC

Durite Round Red Warning Lamp. 10-30VDC. 4 x 3W 3535 LED. 36 Flash Patterns. IP67. E Marked R65 + R10.

Wire Functions:

RED = +VE Positive

BLACK = -VE Earth

YELLOW = Flash Pattern Select

WHITE = SYNC

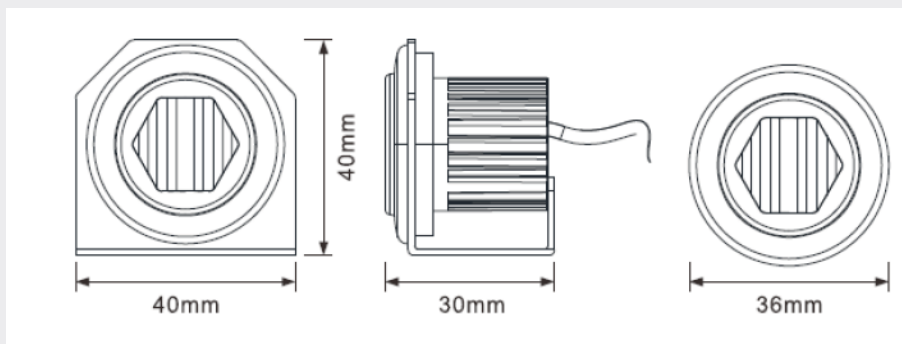


THE TRUSTED QUALITY BRAND FOR PROFESSIONALS

TECHNICAL SPECIFICATIONS

| | |
|-----------------------|-----------------------------|
| Type | Round Warning Lamp - Red |
| Voltage | 10-30VDC |
| LED's | 4pcs 3W3535 LED |
| Power | 8W |
| Current Draw | 0.66A at 12V / 0.33A at 24V |
| IP Rating | IP67 |
| Material Construction | PC, Aluminium Alloy |
| Weight | 0.040Kg |
| Dimensions | Please see below |
| Operating Temperature | -30°C ~ +60°C |
| Storage Temperature | -30°C ~ +60°C |
| Certificate | CE, E Mark R65, R10 EMC |

TECHNICAL DRAWING / FLASH PATTERNS



| FLASH NUMBER | FLASH PATTERNS |
|--------------|-------------------------------------|
| 1 | Single flash-Slow |
| 2 | Single flash-Slow-Low power |
| 3 | Double flash-Slow |
| 4 | Single flash-Slow-Alternating Group |
| 5 | Single flash |
| 6 | Single flash -Low power |
| 7 | Double flash-Fast |
| 8 | Single flash Alternating Group |
| 9 | Double flash-Slow |
| 10 | Triple flash-Slow |
| 11 | Double flash-Slow-Alternating Group |
| 12 | Double flash-Fast |
| 13 | Double flash-Fast-Low power |
| 14 | Triple flash-Fast |
| 15 | Double flash-Fast-Alternating Group |
| 16 | Triple flash |
| 17 | Quad flash |
| 18 | Triple flash-Alternating Group |
| 19 | Quad flash-Slow |
| 20 | Sextuple flash-Slow |
| 21 | Quad flash-Slow-Alternating Group |
| 22 | Quad flash-Fast |
| 23 | Quintuple flash-Fast |
| 24 | Quad flash-Fast-Alternating Group |
| 25 | Octa flash |
| 26 | Eleven flash |
| 27 | Octa flash-Alternating Group |
| 28 | Continuously flash-Fast |
| 29 | Automatically flash 5/28 |
| 30 | Automatically flash 12/16 |
| 31 | Single Flash splits accelerate |
| 32 | Double flash split accelerate) |
| 33 | SOS flash |
| 34 | Cycle through or Random |
| 35 | Steady on |
| 36 | Close |