

0-294-20 - STOP TAIL Lamp 10-30V

Durite Slim LED STOP TAIL Lamp. 10-30VDC. 6 x 0.5W LED's. IP69K. E Marked R10 R148

THE TRUSTED QUALITY BRAND FOR PROFESSIONALS



WARNINGS

Before using this unit please read these instructions carefully. Take special care to follow the warnings and safety suggestions listed below. Keep these instructions for future reference. There are no user-serviceable parts within the unit, refer servicing to qualified service personnel.

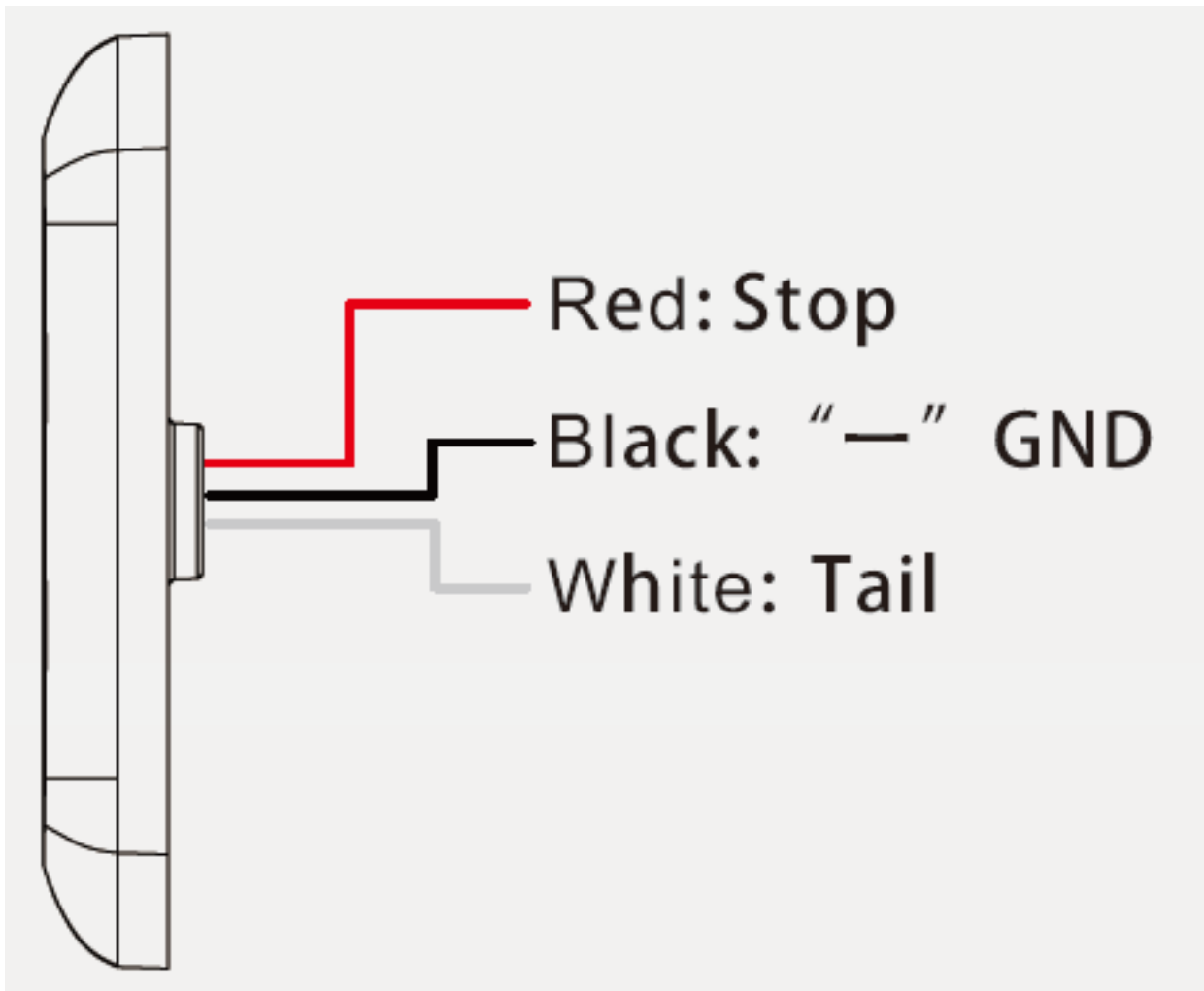
PRECAUTIONS

1. Proper installation of this product requires the installer to have a good understanding of automotive electronics, systems and procedures.
2. If mounting this product requires drilling holes, the installer **MUST** be sure that no vehicle components or other vital parts could be damaged by the drilling process. Check both sides of the mounting surface before drilling begins. Also de-burr the holes and remove any metal shards or remnants.
3. Do not install this product or route any wires in the deployment area of your air bag. Equipment mounted or located in the air bag deployment area will damage or reduce the effectiveness of the air bag, or become a projectile that could cause serious personal injury or death. Refer to your vehicle owner's manual for the air bag deployment area. The User/Installer assumes full responsibility to determine proper mounting location, based on providing ultimate safety to all passengers inside the vehicle.
4. Do not attempt to activate or control this device in a hazardous driving situation.
5. This product contains either strobe light(s), halogen light(s), high-intensity LEDs or a combination of these lights. Do not stare directly into these lights. Momentary blindness and/or eye damage could result.
6. Use only soap and water to clean the outer lens. Use of other chemicals could result in premature lens cracking (crazing) and discoloration. Lenses in this condition have significantly reduced effectiveness. Inspect and operate this product regularly to confirm its proper operation and mounting condition.
7. It is recommended that these instructions be stored in a safe place and referred to when performing maintenance and/or reinstallation of this product.
8. For this product to operate at optimum efficiency, a good electrical connection to chassis ground must be made. The recommended procedure requires the product ground wire to be connected directly to the **NEGATIVE (-)** battery post.

MOUNTING

1. Place the unit against the mounting surface.
2. Mark the areas where the mounting holes are to be drilled. Confirm that no vehicle parts could be damaged by the drilling process.
3. Using a bit size for a no. 304 metal screw, drill two mounting holes, a 0.5" diameter. Wire passage hole(s) must also be drilled. Thoroughly de-burr all hole(s).
4. Pass the wires through the hole(s) in the gasket and through the wire passage hole(s) in the mounting surface. Fix the light head to the mounting surface.

FLY LEADS



TECHNICAL SPECIFICATIONS

Type	LED Slim Lamp STOP TAIL
Voltage	10-30VDC
Wattage	Tail/Stop (0.08W/2W)
Current Draw at 12VDC	Tail/Stop (0.005A/0.165A)
LED's	6 x 0.5W
IP Rating	IP69K
Material Constuction	PC Lens, Aluminium Housing
Operating Temperature	-40°C to +60°C
Weight	0.058Kg
Dimensions	Please see drawing below
Certificates	E Mark ECE R10, R148

