

## auto electrical parts

### Technical Information Sheet

#### Part No. 0-005-31

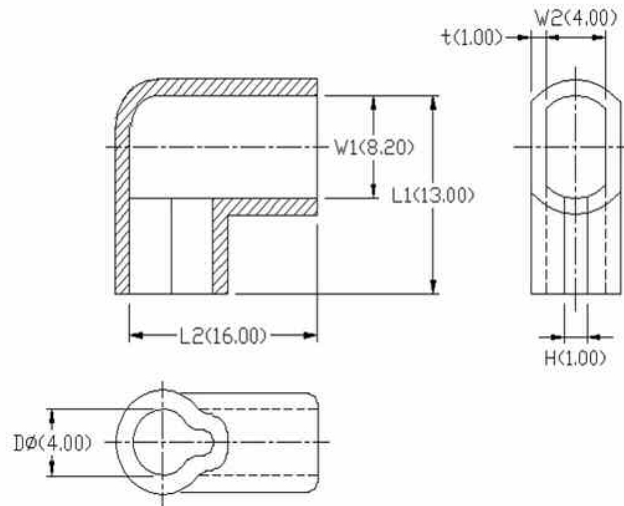
Clear PVC Insulator for 6.3mm Terminals, Push-on

Flagged style for easy fitting/removal

Pk50



#### Technical Drawing (not to scale)



#### Specification

Size	6.3mm
Material	PVC
Weight	42.0g per Pk
Pack Qty	50
Dimensions	(See above in mm)

The information contained in this document is correct to the best of our knowledge at the time of printing. However, specifications may change at any time without notice.